

NOTE:

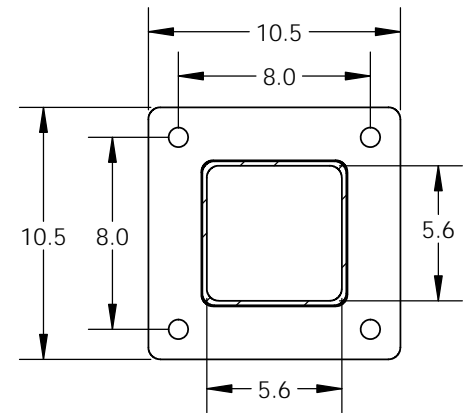
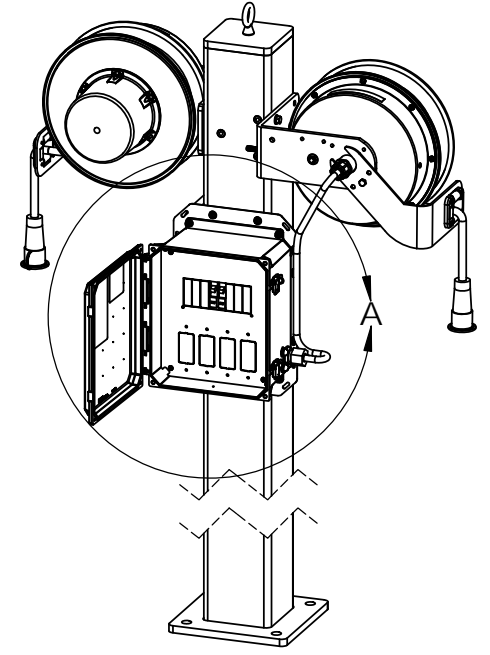
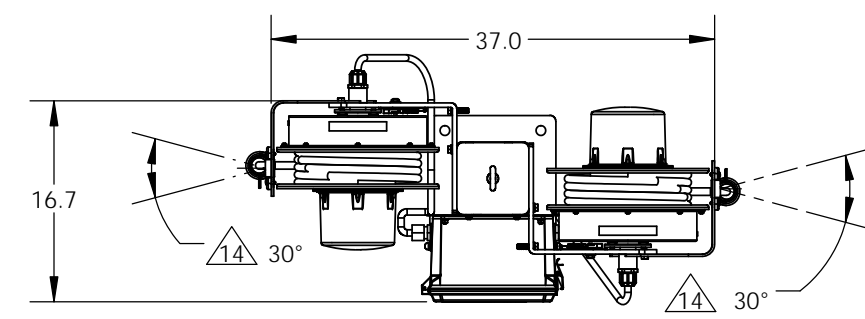
1. SUPPLY RATINGS: 120/240VAC 1PH 3W 50/60HZ 100A MAX.
2. FIELD CONNECTIONS: LI, L2, N, AND GROUNDING TERMINAL.
3. MAIN LUGS WIRE RANGE: 8-3AWG 75C CU-AL, STRIP LENGTH 3/4", TORQUE 50 LB. IN.
4. GROUNDING TERMINAL WIRE RANGE: 6-4AWG CU-AL, TORQUE 35 LB. IN., 8AWG CU-AL TORQUE 25 LB. IN., 14-10AWG CU-AL TORQUE 20 LB. IN.
5. DISCONNECTING MEANS TO BE PROVIDED BY INSTALLER.
6. INSTALLERS RESPONSIBILITY TO CONSULT LOCAL AUTHORITIES HAVING JURISDICTION (AHJ) FOR SPECIFICS ON FOUNDATION AND ELECTRICAL GROUNDING REQUIREMENTS.
7. ANCHORING/INSTALLATION HARDWARE NOT PROVIDED BY MANUFACTURER
8. POWER FEED FROM CONDUIT MAY PASS THRU COLUMN ENTERING AT BASE AND TERMINATING WITHIN ENCLOSURE; CONSULT LOCAL AUTHORITIES HAVING JURISDICTION (AHJ) FOR SPECIFIC REQUIREMENTS. PRIOR TO INSTALL, STUB OUT LENGTH OF FEED CONDUCTORS SHALL BE 60" MIN ABOVE CONCRETE FOUNDATION

- 10 REELS WILL BE CONFIGURED WITH OVERCURRENT PROTECTION, SHORT CIRCUIT PROTECTION, GFCI.
- 11. USE MINIMUM 1/2" DIAMETER, GRADE 2 THREADED FASTENERS TO ANCHOR ASSEMBLY
- 12. RECOMMEND TO GROUT SPACE BETWEEN MOUNTING FLANGE AND FOUNDATION, AFTER PLUMBING. INCLUDE WEEP HOLE

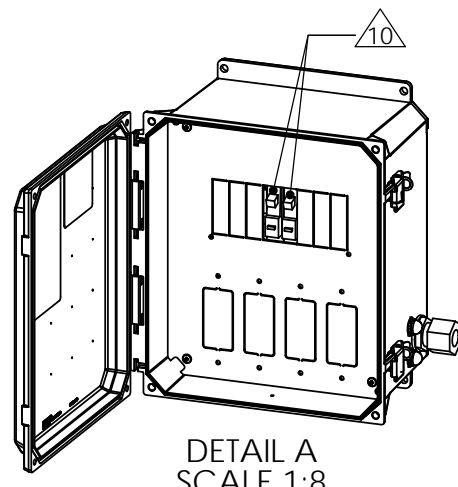
- 13 NEMA-4 REELS SHALL BE SUPPLIED WITH 50' OF 12/3 SOOW CORD PRE-WIRED.

- 14 TO MAXIMIZE CORD LIFE DO NOT EXCEED DEPARTURE ANGLE WHEN EXTRACTING CORD

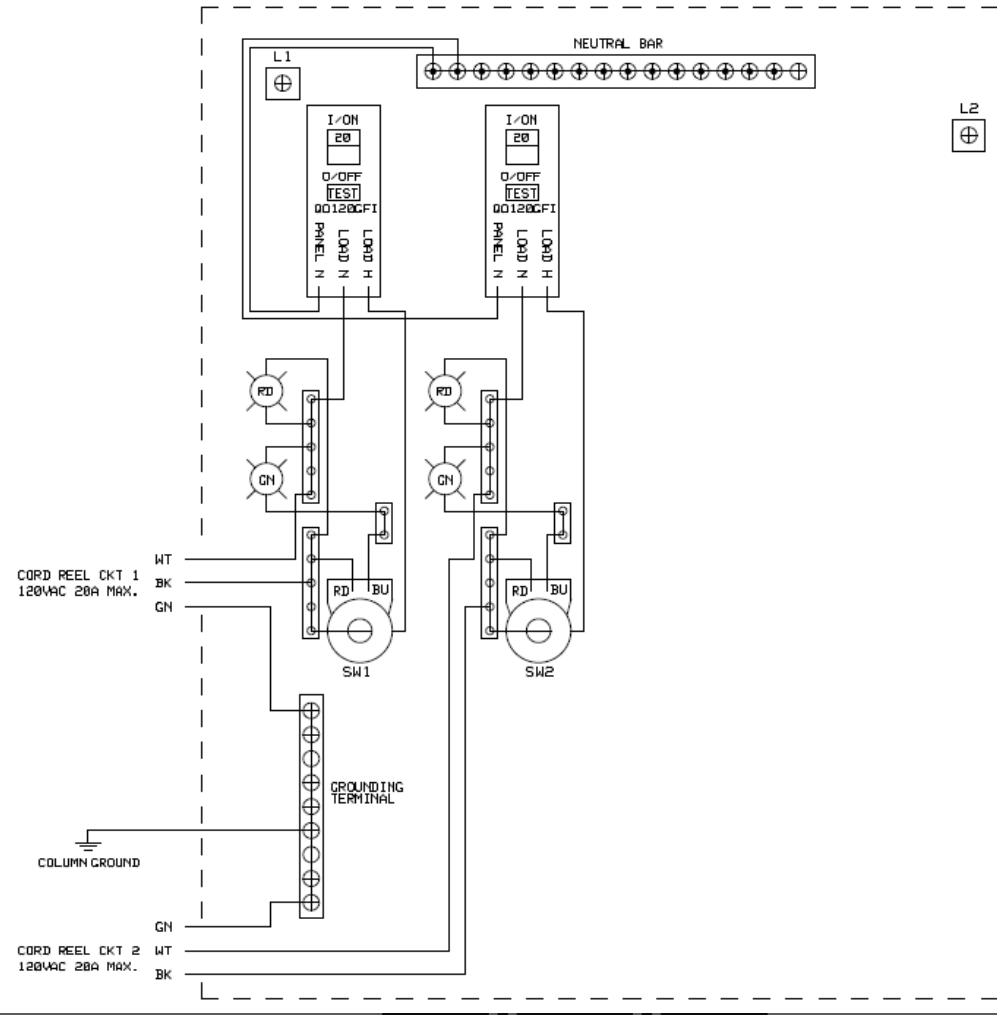
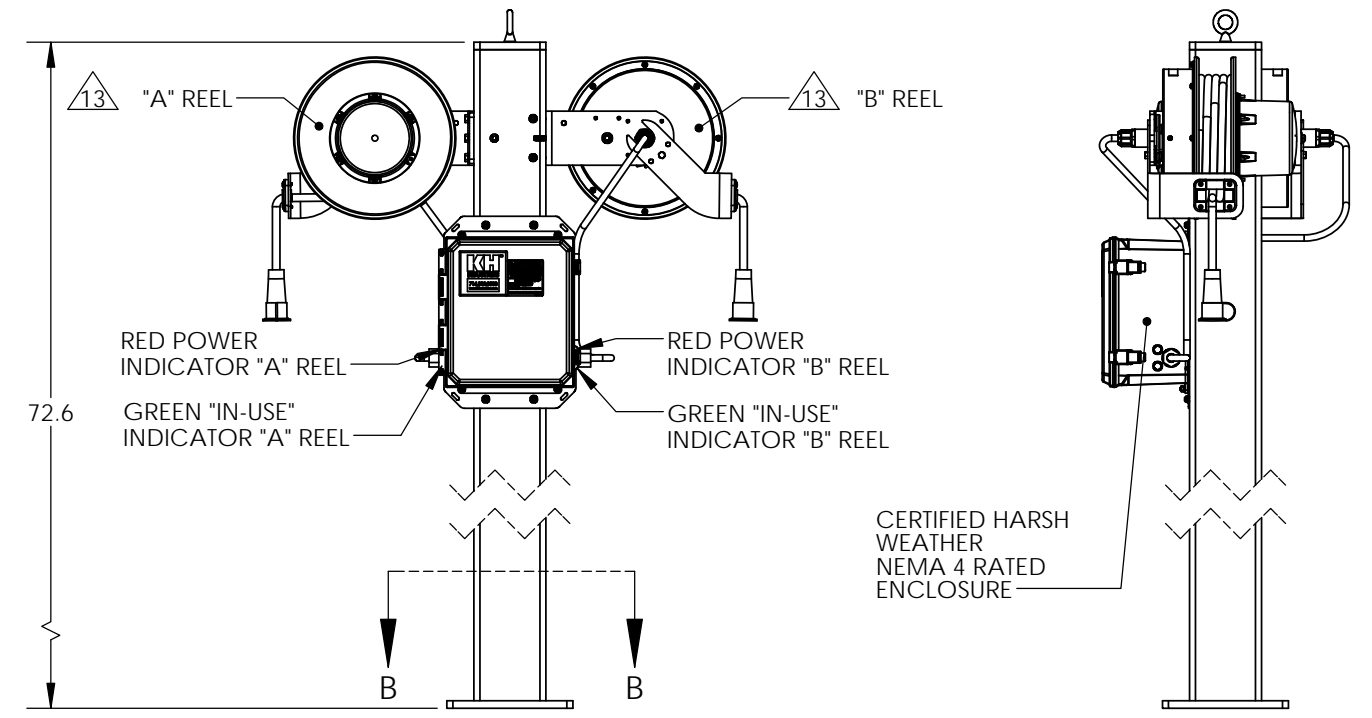
REVISIONS			
REV.	DESCRIPTION	DATE	NAME
-	INITIAL RELEASE	8/21/2023	CG


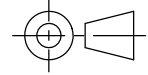


SECTION B-B
SCALE 1 : 8



DETAIL A
SCALE 1:8



<p>PROPRIETARY AND CONFIDENTIAL</p> <p>This drawing and the information shown constitute trade secret and confidential property of KH Industries Inc. It is subject to recall, and is loaned for use only in connection with the authorized manufacture or installation of KH Industries Inc. products, and on the condition that it will be treated as confidential and will not be disclosed, published or reproduced in whole or in part, or permitted to be viewed or used by any other party, without specific written permission. Receipt and use of the drawing and information constitutes acceptance and agreement to the above.</p>	NAME	DATE	 <p>160 Elmview Ave. Hamburg, NY 14075 www.khindustries.com</p>		
	DRAWN	CG		08/21/23	
	CHECKED	RG		08/21/23	
	APPROVED	RG		08/21/23	
UNLESS OTHERWISE SPECIFIED DIMENSIONS ARE IN INCHES			SIZE DRAWING NUMBER: REV		
ANGULAR	.X	.XX	.XXX	B RS2F72Y-BC0150-00 -	
	± 1°	± .1	± .03	± .005	DESCRIPTION: CORD REEL STATION
 <p>THIRD ANGLE PROJECTION</p>		Material	Finish		
		SCALE: 1:16	DO NOT SCALE DRAWING	SHEET 1 OF 1	