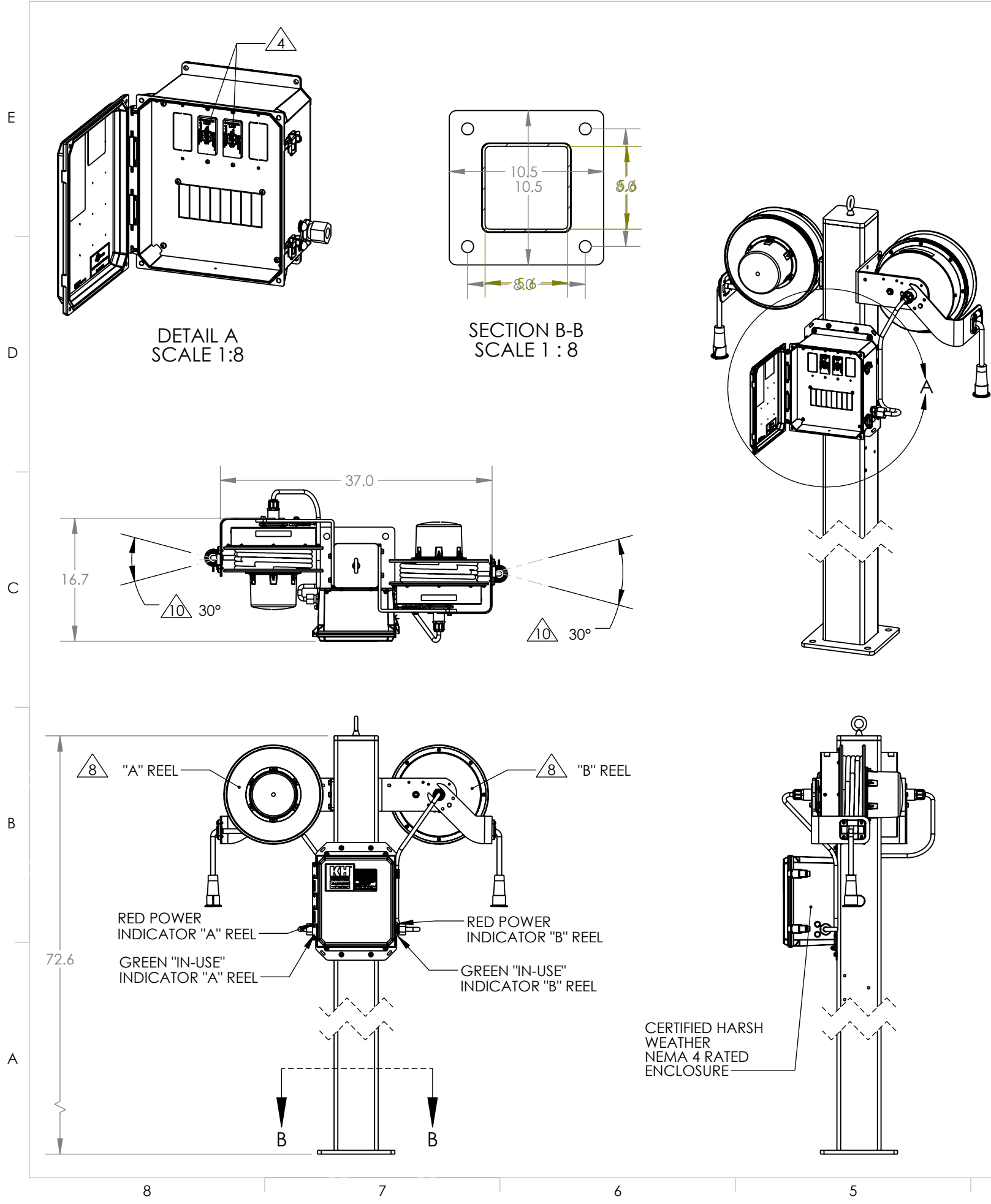
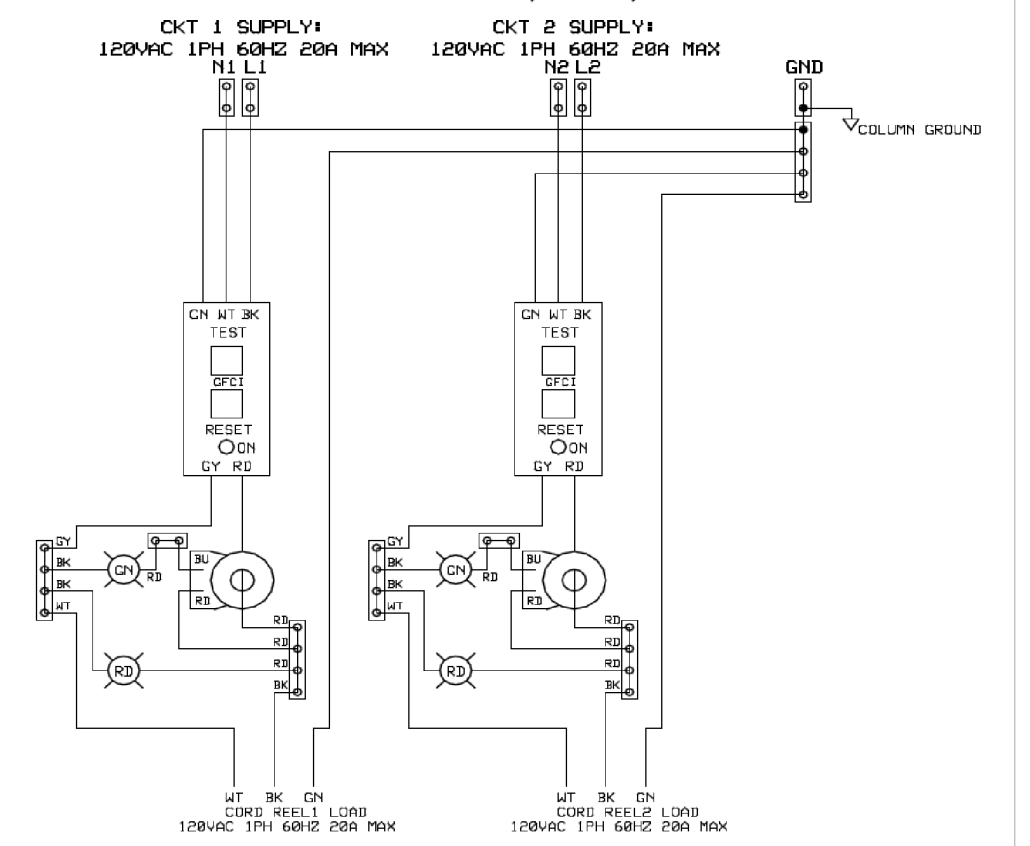



REVISIONS			
REV.	DESCRIPTION	DATE	NAME
-	INITIAL RELEASE	6/13/2022	CG
A	NEW PART NUMBER SCHEME	3/25/2024	RG



FIELD CONNECTIONS: WIRE RANGE 20-8 AWG, CU 75C, STRIP LENGTH 0.55"



- NOTE:
- INSTALLERS RESPONSIBILITY TO CONSULT LOCAL MUNICIPALITY HAVING JURISDICTION FOR SPECIFICS ON FOUNDATION AND ELECTRICAL GROUNDING REQUIREMENTS. ANCHORING/INSTALLATION HARDWARE NOT PROVIDED BY MANUFACTURER
 - POWER FEED FROM CONDUIT MAY PASS THRU COLUMN ENTERING AT BASE AND TERMINATING WITHIN ENCLOSURE.
 - PRIOR TO INSTALL, STUB OUT LENGTH OF FEED CONDUCTORS SHALL BE 60" MIN ABOVE CONCRETE FOUNDATION
 - REELS WILL BE CONFIGURED WITH GFCI PROTECTION ONLY, NO SHORT CIRCUIT PROTECTION IS PROVIDED
 - ENCLOSURE PRE-WIRED TO ACCEPT 110 V, 20 AMP CIRCUIT(S)
 - USE MINIMUM 1/2" DIAMETER, GRADE 2 THREADED FASTENERS TO ANCHOR ASSEMBLY
 - RECOMMEND TO GROUT SPACE BETWEEN MOUNTING FLANGE AND FOUNDATION, AFTER PLUMBING. INCLUDE WEEP HOLE
 - NEMA-4 REELS SHALL BE SUPPLIED WITH 50' OF 12/3 SOOW CORD PRE-WIRED TO ENCLOSURE
 - REFER TO MODEL RS2F72Y-BA0150-00" WHEN ORDERING
 - TO MAXIMIZE CORD LIFE DO NOT EXCEED DEPARTURE ANGLE WHEN EXTRACTING CORD
 - DISCONNECTING MEANS AND 20A PROTECTION TYPE MCB TO BE PROVIDED BY INSTALLER

PROPRIETARY AND CONFIDENTIAL This drawing and the information shown constitute trade secret and confidential property of KH Industries Inc. It is subject to recall, and is loaned for use only in connection with the authorized manufacture or installation of KH Industries Inc. products, and on the condition that it will be treated as confidential and will not be disclosed, published or reproduced in whole or in part, or permitted to be viewed or used by any other party, without specific written permission. Receipt and use of the drawing and information constitutes acceptance and agreement to the above.	NAME	DATE	 160 Elmview Ave. Hamburg, NY 14075 www.khindustries.com
	DRAWN	CG 06/13/22	
	CHECKED	RG 06/13/22	
	APPROVED	RG 06/13/22	
UNLESS OTHERWISE SPECIFIED DIMENSIONS ARE IN INCHES			SIZE: DRAWING NUMBER: B RS2F72Y-BA0150-00
ANGULAR	.X .XX .XXX ± 1° ± .1 ± .03 ± .005	DESCRIPTION: CORD REEL STATION	REV: A
THIRD ANGLE PROJECTION		Material: -	Finish: -
SCALE: 1:16		DO NOT SCALE DRAWING	SHEET 1 OF 1